

Check Valves

CVC5.S08 Valve Series

- SAE08 Cartridge - 420 bar
- Direct acting - Poppet type



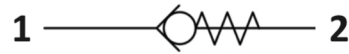
Description

A screw-in, cartridge style, direct acting, poppet type check valve. Main use is as a blocking or load-holding device. The CVC5.S08 allows flow passage from port 1 to 2: the cartridge has a fully guided check which is spring-biased closed until sufficient pressure is applied at port 1 to open to 2. The flow is blocked in the opposite direction (2 to 1).

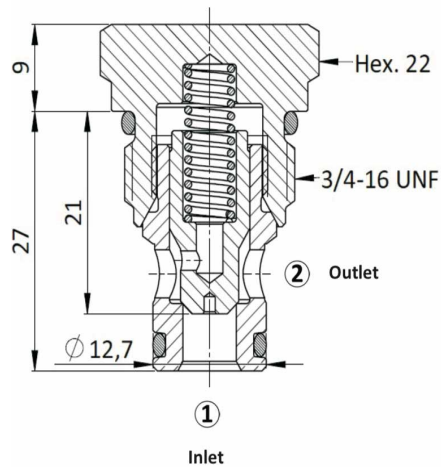
Technical Features

All external surfaces are zinc plated and corrosion-proof. All valve parts are made of high strength steel. Poppet is hardened and ground to guarantee minimal wear and to extend service life. Compact size. Optional bias springs for back-pressure application flexibility. Industry common cavity.

Symbol

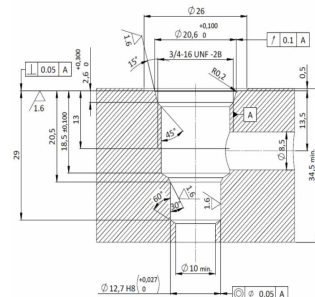


Cross Section



Cavity Details

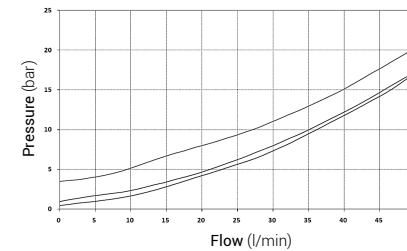
SAE08



Technical Data

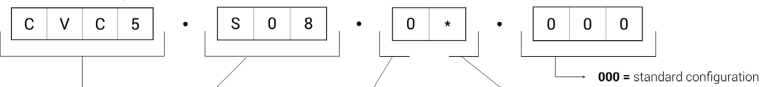
Maximum operating pressure	420 bar
Maximum flow	50 l/min
Cracking pressure	See table below
Maximum Internal Leakage	0,10 cm ³ / min @ 10 bar 0,10 cm ³ / min @ 420 bar
External component treatment	Zn/Fe - standard (96h) Zn/Ni (720h)
O-ring Temperature Range	-30° C to 110° C (standard sealing NBR - BUNA-N)
Oil Temperature Range	-30° C to 110° C
Fluids	Mineral - based or synthetics with lubricating properties
Viscosities	7,4 to 420 cSt
Filtration	20/18/15 ISO 4406 (maximum filtration admitted)
Orientation	No restrictions
Installation torque	40-45 Nm
Technical Specifications for characterization	see page 480
Oil testing condition	ISO VG 46 cSt
Seal kit code	SK.030
Weight	0,060 kg

Performance Details



Note: The performance chart illustrates flow handling capacity for significant spring bias options. p/Q curves are recorded at TOil = 40°C and 46 cSt

Ordering Code



Valve basic code

Cavity
S08 = 3/4 - 16 UNF with 12.7 mm nose size

Marking
0 = standard factory marking. Customized marking can be done upon request

Bias Spring Options

Spring model code	Cracking pressure (bar)	Spring model code	Cracking pressure (bar)
Y	0.5	P	5.0
N	1.0	G	8.0
S	2.5	V	9.0
B	3.0	W	15.0

Specifications may change without notice.